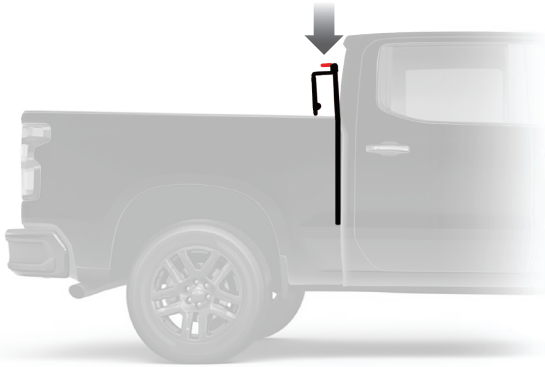


# INNOVATIVE TRUCK CAB PROTECTORS USAGE INSTRUCTIONS

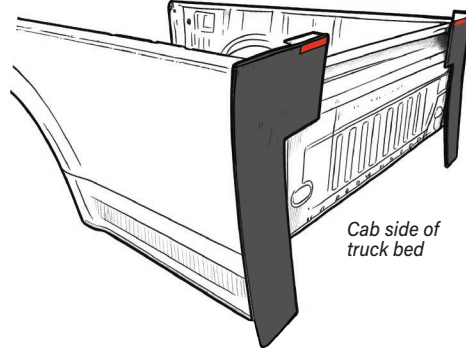
## STEP 1 REMOVING TRUCK BED

### Remove bolts from truck bed.

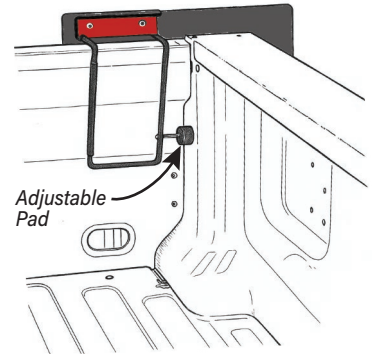
Slide truck Cab Protectors down from the top as shown below.



Position **Cab Protectors** over truck bed as shown.



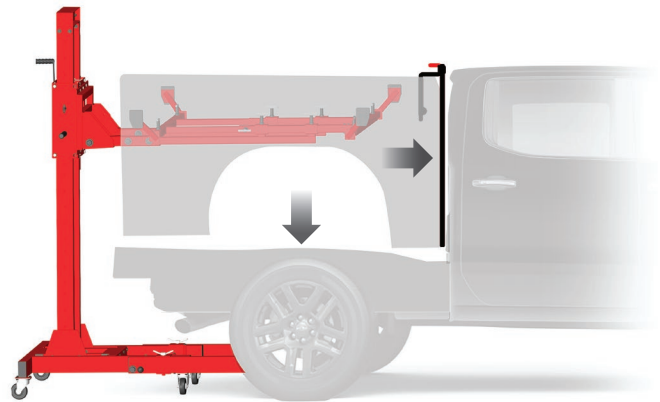
From the inside, adjust knobs on each **Cab Protector** so parallel to the truck bed.



## STEP 2 INSTALLING TRUCK BED

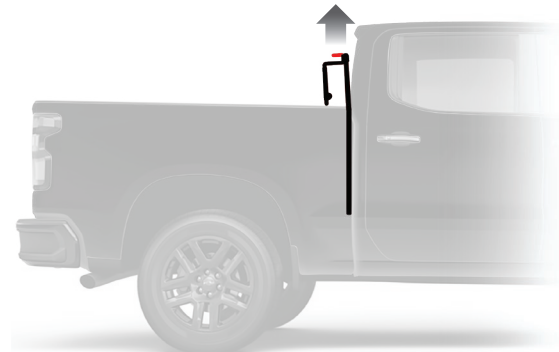
With **Cab Protectors** in place, slowly push the truck bed up against the cab with very light pressure.

Lower the truck box onto the truck bed frame.



## STEP 3

Before bolting the truck bed to the frame, remove **Cab Protectors** by pulling straight up using the handle on top.



**INNOVATIVE**  
TOOLS & TECHNOLOGIES, INC.  
2016 GATEWAY CIRCLE  
ST. PAUL, MINNESOTA 55038-7783

U.S. :: 1-866-438-4884 DIRECT :: 1-651-415-0733  
[WWW.INNOVATIVETOOLS.COM](http://WWW.INNOVATIVETOOLS.COM)