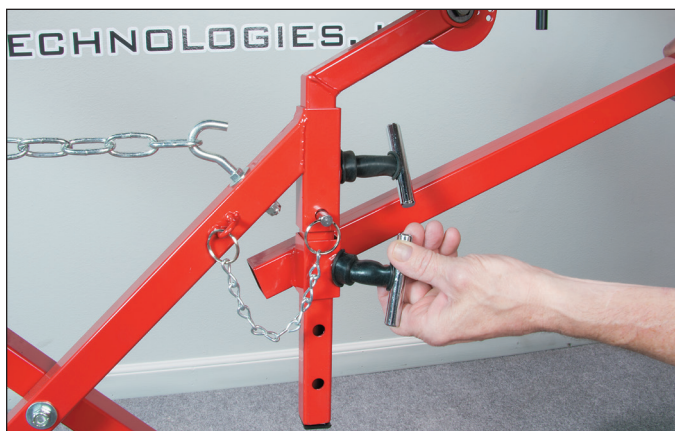


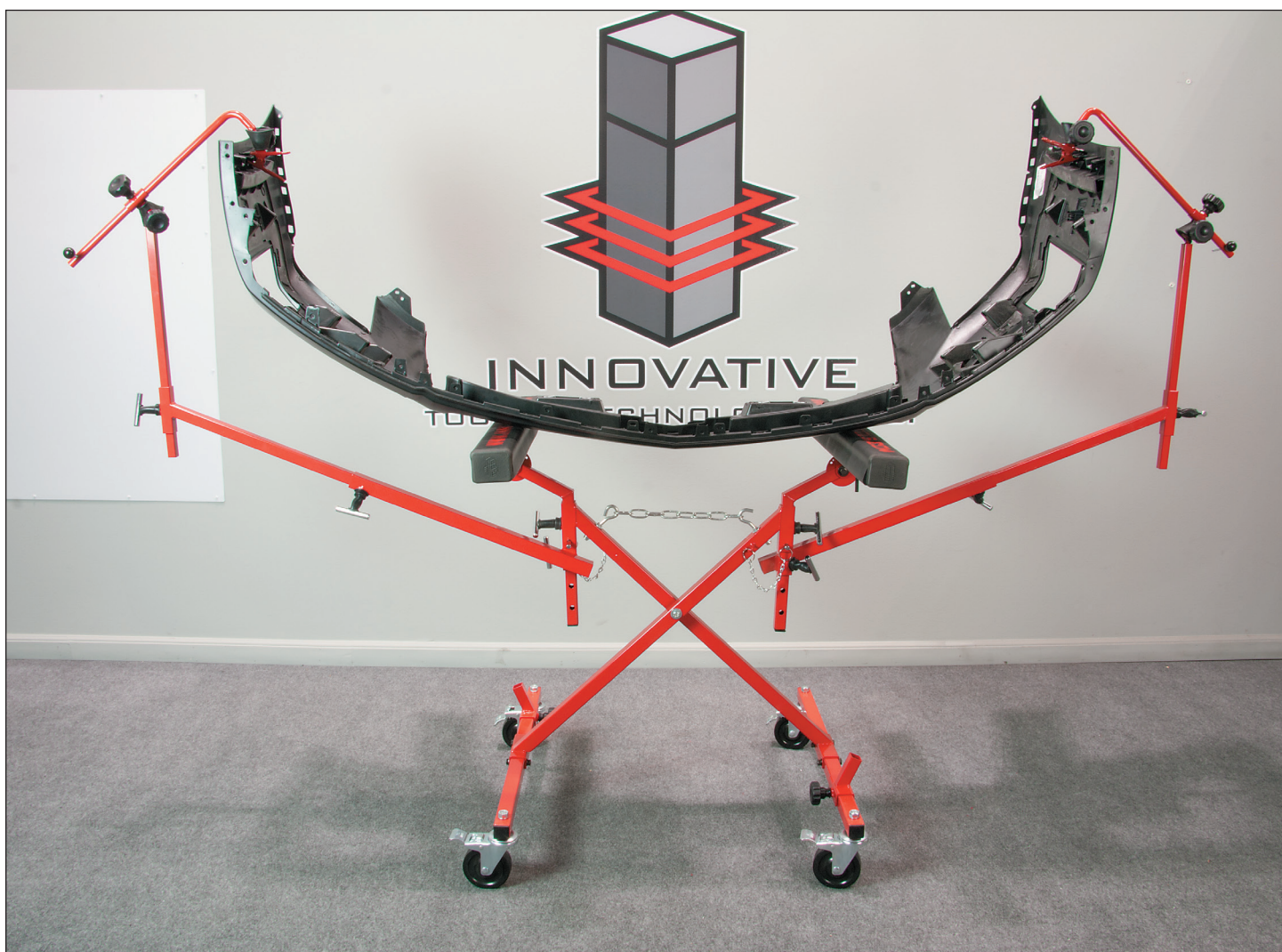
# Innovative X-Stand Support Arms™ Usage Instructions



Slide Support Arm into desired position and tighten Tee Handle.



Support Arms can go in any direction to securely hold doors and bumpers on the X-Stand.



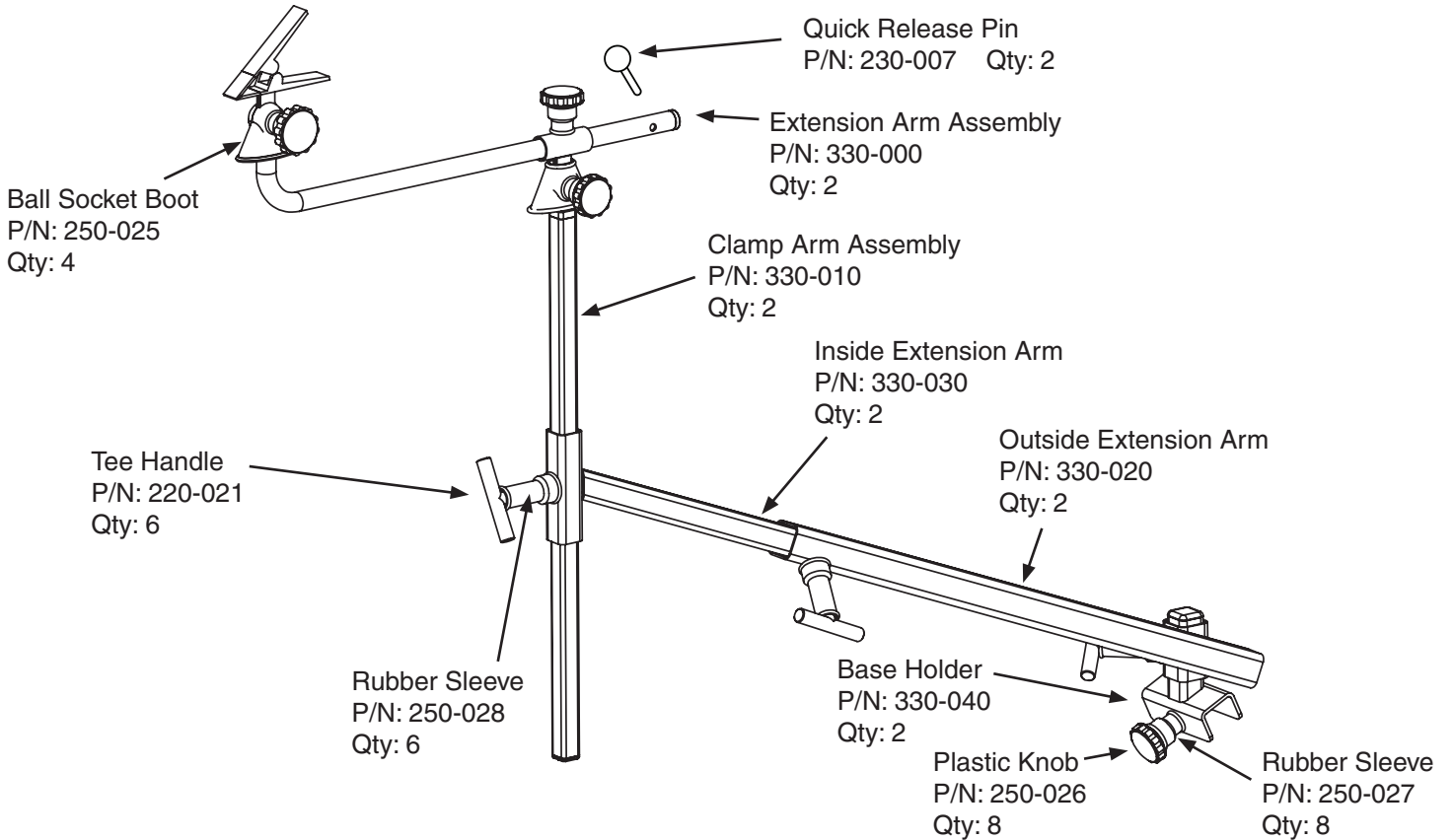
Above photo shows X-Stand Support Arms, securely holding a large bumper at the perfect working height, in its proper shape (just like it fits on the vehicle), either for the transferring of parts or during the repair process, such as plastic welding.



# Innovative X-Stand Support Arms™

## Parts Diagram

P/N: I-XS-SA



Install Option Mounting Brackets as shown. Tighten knobs.



Support Arm shown in stored position. Tee Handles do not need to be tightened.



Both Support Arms shown in stored position.

[www.innovativetools.com](http://www.innovativetools.com)

If you have any comments, questions or concerns about our products or are missing a part, please contact us at 1-866-438-4884 or 651-415-0733.