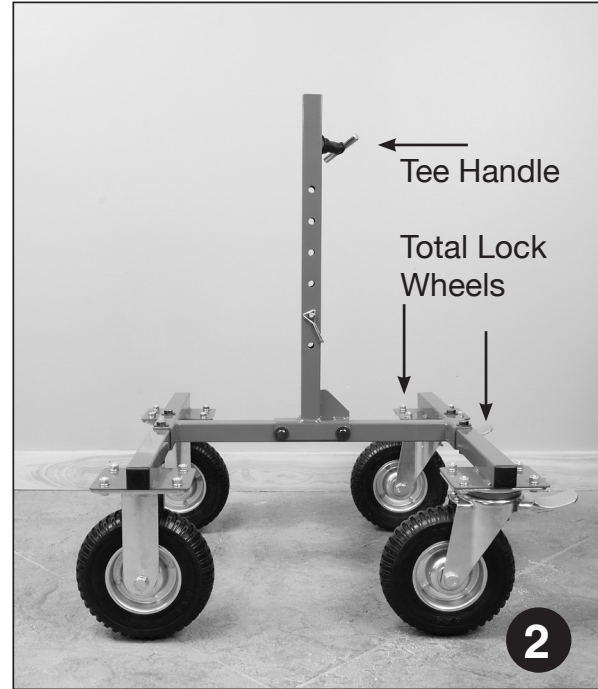


Innovative Mobile Estimating Cart™

Assembly Instructions



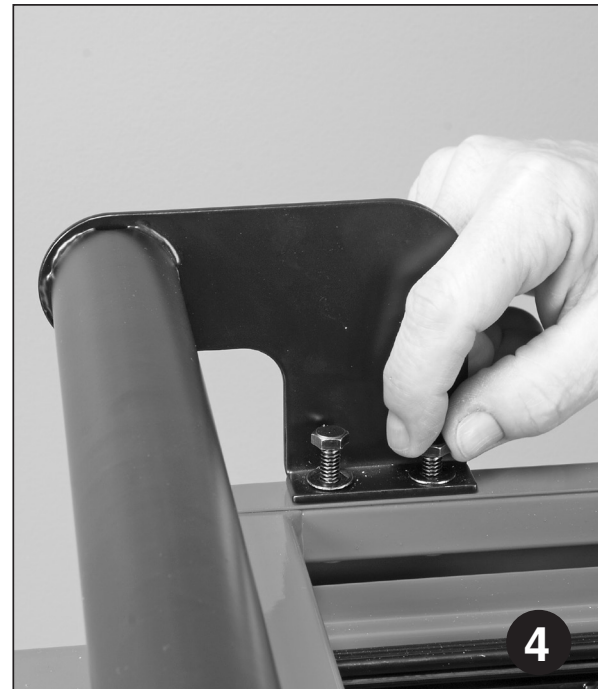
Insert flat washer and bolt from bottom and install lock washer and nut from top as shown.



Assemble base unit as shown. Make sure the Tee Handle is facing the direction of the Swivel Caster Total Lock wheels.



Turn Top Drawer Assembly upside down on a clean dry surface. Pull drawer out. Insert flat washers and bolts from bottom as shown.



While installing handle, thread flat washers and bolts by hand to avoid cross-threading.

Visit innovativetools.com for new products, product videos, assembly instructions and more. See how we can help make your shop more efficient.

Innovative Mobile Estimating Cart™

P/N I-MEC

