

Innovative Vertical Masker Option™ Assembly Instructions

P/N I-M036



1

Install side frames.
Do not tighten any bolts until all parts are assembled.



2

Install base plate assembly.



3

Install cross brace (500-016).



4

Install upper cross brace (500-017).



5

Install tear blade and guide.



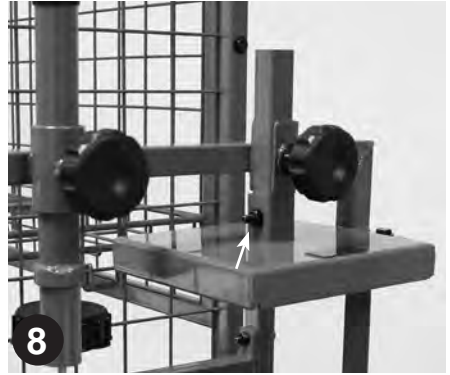
6

Insert plastic knobs. Install Tape Hub assembly (see diagram 1, page 3).



7

Install tape hub to upper box cap using 5/16 x 1-1/2 bolt and bushing (see diagram 2, page 3).



8

Use 1/4 bolt (see arrow) to install upper cap to upper box support (see diagram 2, page 3).



9

Install Base Plate Assembly and Lower Paper Support (500-007).



10

Before inserting plastic, cut off top and bottom of box.



9

Note: smaller boxes fit inside upper and lower box caps.



10

Note: larger boxes fit outside of upper and lower box caps.



Tape hub assembly showing paper and tape direction. Use downward pressure on Upper Paper Support to adjust how easy paper unrolls.



Showing both paper and plastic installed.

Diagram 1

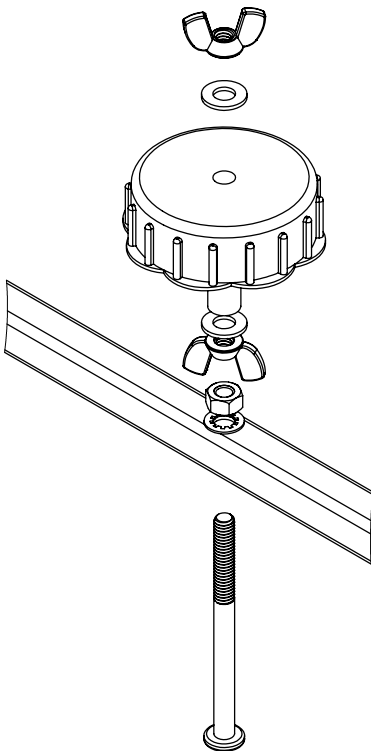
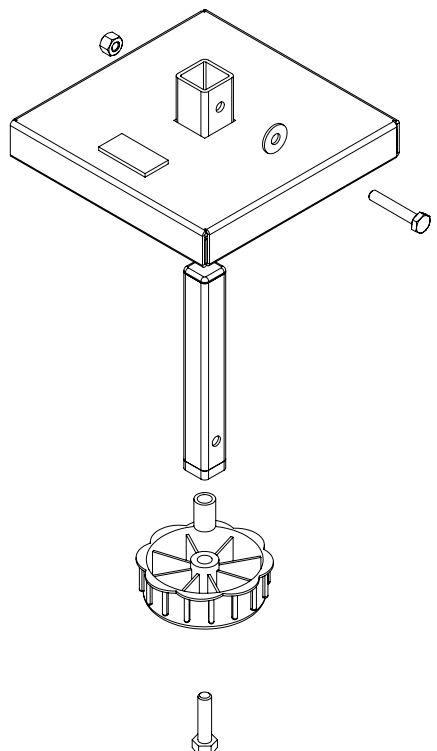


Diagram 2



For a demonstration video, please visit:
www.InnovativeTools.com/product-videos/

Innovative Vertical Masker Option™

P/N I-M036

